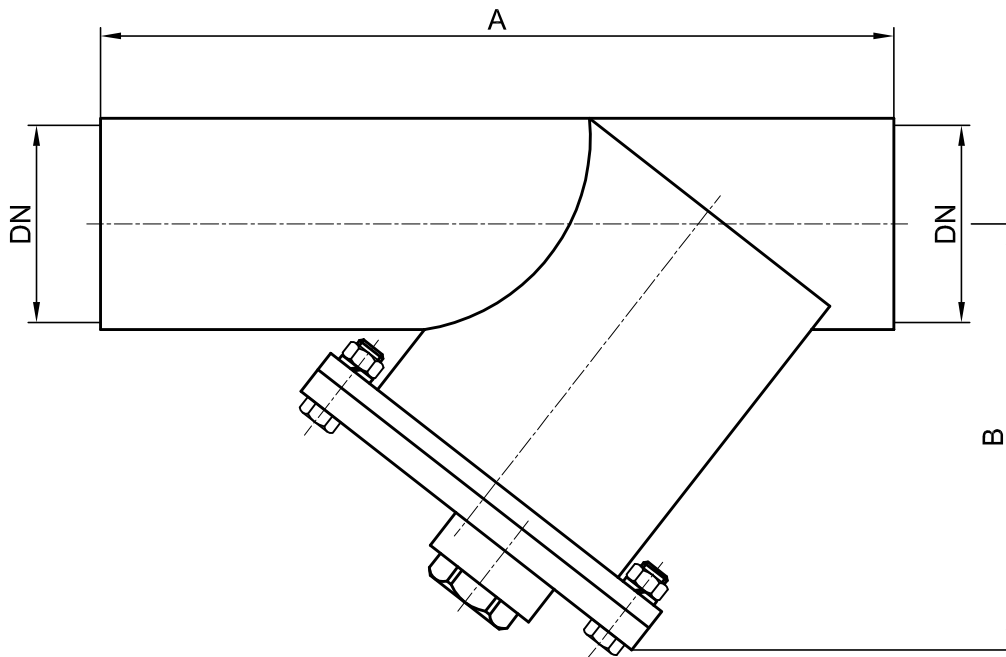


**STAINLESS STEEL
BUTT WELDED & FLANGED
FREE FLOW / FILTER**

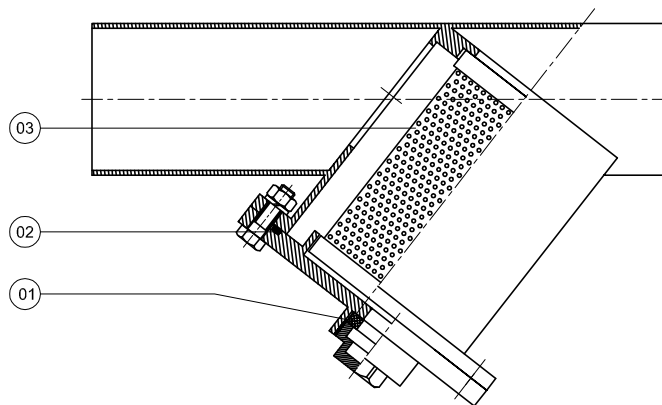
SERIES : 391



DN		A	B	Kv	WEIGHT (KG)
65	2 1/2"	286	150	84	4,30
80	3"	306	185	126	5,40
100	4"	345	210	197	9,15
125	5"	395	250	308	12,80
150	6"	475	285	445	18,20



ALFANOX



For the spare part orders, notifying us about the part number at the chart below and also the serial number on the valve are adequate.

SPARE PART LIST		
PART NO	PART NAME	MATERIAL
01	DRAIN TAP GASKET	PTFE
02	COVER O-RING	NBR / SILICONE
03	STRAINER	INOX

