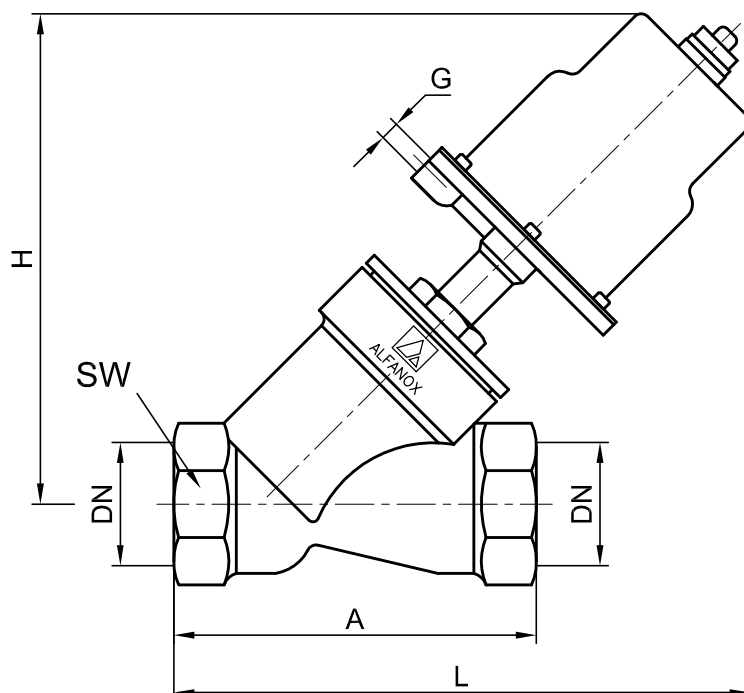


**STAINLESS STEEL ACTUATED  
 THREADED / Rg5 BRASS BODY  
 FREE FLOW / PNEUMATIC ON-OFF VALVE**

**SERIES : 405**



**APPLICATION**

Angle seat valve for water, air, non aggressive (inert) media and steam.

**DIMENSION**

DN 65 (2 1/2") / DN 80 (3")

**OPERATING FEATURES**

Operating pressure ( $\Delta p$ ) : See data list.

Actuator : Pneumatically operated, normally closed - NC, normally open - NO, double acting - DE.

Actuator housing rotation 360°

Control pressure : Minimum 5 bar - Maximum 10 bar

Pilot media : Air, water and inert gases.

Media temperature : -10°C / +180°C

Ambient temperature : -10°C / +60°C

Connection : Threaded

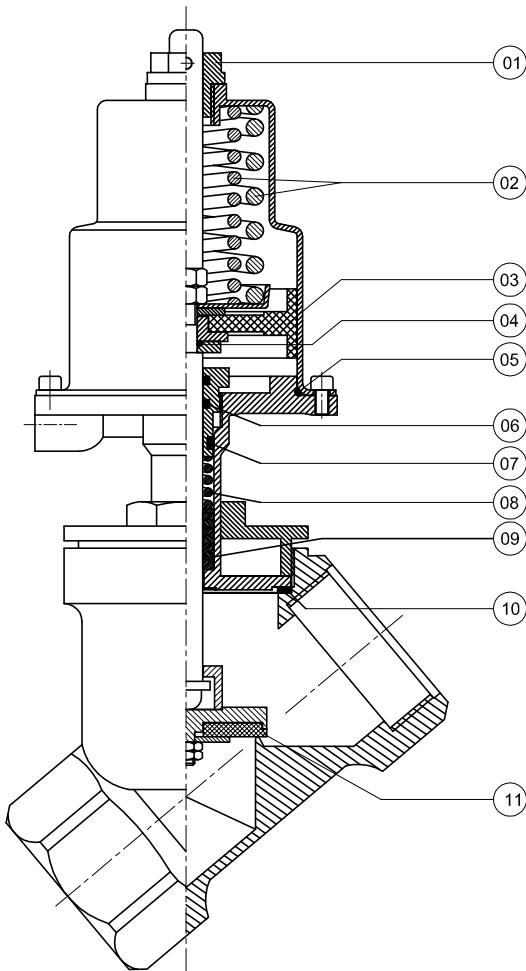
DN		PISTON	$\Delta p$ bar	A	L	H	G	SW	Kv m <sup>3</sup> /h	WEIGHT (KG)
65	2 1/2"	Ø 100	4	190	305	260	G 1/4"	85	84,0	8,70
		Ø 125	7		330	290				11,50
		Ø 150	10		350	315				14,80
80	3"	Ø 100	2	220	320	275		100	126,0	9,20
		Ø 125	5		345	305				12,00
		Ø 150	8		365	330				15,30



**ALFANOX**

# INSTRUCTIONS / SPARE PARTS WITH Ø100 ACTUATOR

## SERIES : 405



### INSTRUCTIONS :

1. Valve can be fitted in any position.
2. Flow direction should be as indicated by an arrow on the body.
3. Working pressure for each size of valve should not be exceed the limits indicated in the chart.
4. Control pressure should not exceed the maximum and should not go lower then the minimum value.
5. CAUTION : Never fasten or remove the assembly nut prior to applying pressurized air.

For the spare part orders, notifying us about the part number at the chart below and also the serial number on the valve are adequate.

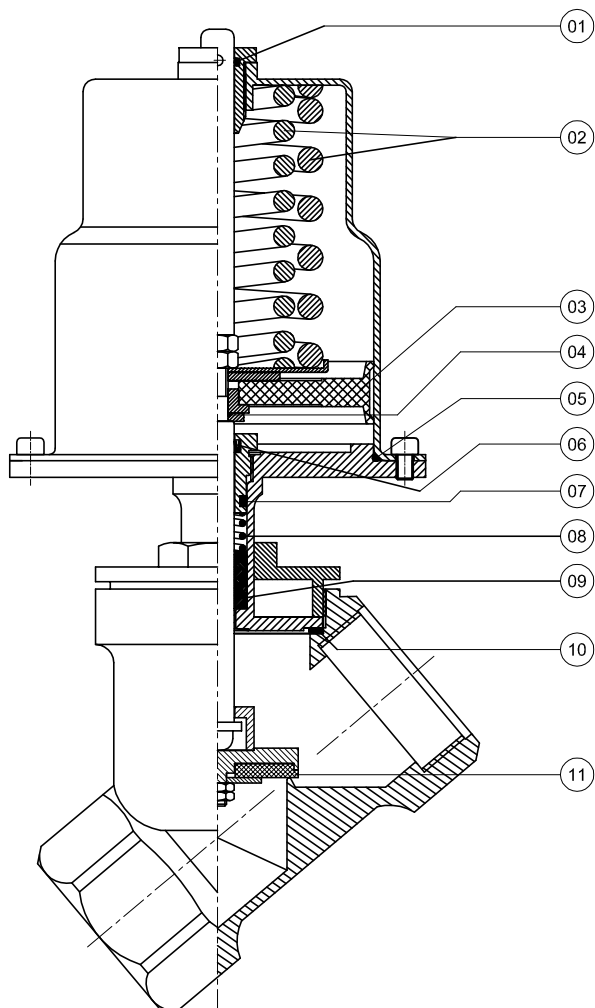
SPARE PART LIST		
PART NO	PART NAME	MATERIAL
01	UPPER SPINDLE GUIDE	NYLON 66
02	SPRING (SINGLE)	INOX
02	SPRING (DOUBLE)	INOX
02	SPRING (DOUBLE)	STEEL
03	PISTON GROUP	NBR+BRASS
04	PISTON O-RING	NBR
05	CYLINDER O-RING	SILICONE
06	STUFFING BOX O-RING	SILICONE
07	STUFFING BOX GASKET	SILICONE
08	STUFFING BOX SPRING	INOX
09	STUFFING BOX V-CHEVRON	PTFE
10	BODY SEALING GASKET	PTFE
11	SEAT SEAL	PTFE



**ALFANOX**

# INSTRUCTIONS / SPARE PARTS WITH Ø125 & Ø150 ACTUATOR

## SERIES : 405



### INSTRUCTIONS :

1. Valve can be fitted in any position.
2. Flow direction should be as indicated by an arrow on the body.
3. Working pressure for each size of valve should not exceed the limits indicated in the chart.
4. Control pressure should not exceed the maximum and should not go lower than the minimum value.
5. CAUTION : Never fasten or remove the assembly nut prior to applying pressurized air.

For the spare part orders, notifying us about the part number at the chart below and also the serial number on the valve are adequate.

SPARE PART LIST		
PART NO	PART NAME	MATERIAL
01	UPPER SPINDLE O-RING	SILICONE
02	SPRING (DOUBLE)	STEEL
03	PISTON GROUP	NBR+BRASS
04	PISTON O-RING	NBR
05	CYLINDER O-RING	SILICONE
06	STUFFING BOX NUTRING	SILICONE
07	STUFFING BOX GASKET	SILICONE
08	STUFFING BOX SPRING	INOX
09	STUFFING BOX V-CHEVRON	PTFE
10	BODY SEALING GASKET	PTFE
11	SEAT SEAL	PTFE



**ALFANOX**