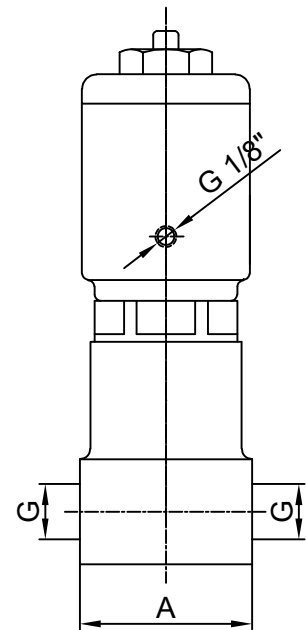
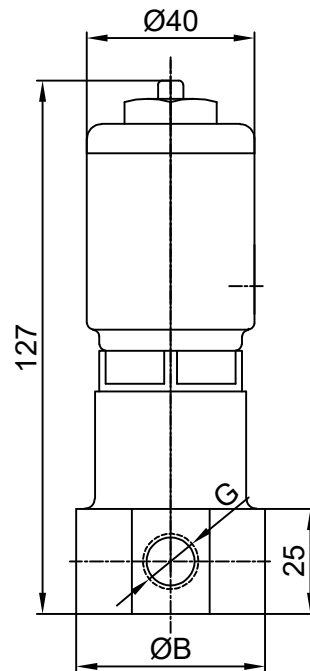
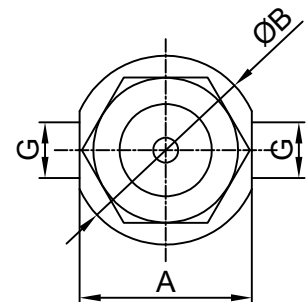


**GLOBE TYPE
STAINLESS STEEL / ON-OFF
PISTON OPERATED MINI VALVE
SEAT SEAL : SILICONE or PTFE**

SERIES: 413



| G | ORIFICE mm. | PISTON mm. | A | ØB | Δp bar | | Kv m ³ /h | WEIGHT Kg. |
|------|----------------|---------------|----|----|----------|------|-------------------------|---------------|
| | | | | | silicone | PTFE | | |
| 1/8" | 6 | Ø 32 | 41 | 45 | 20 | 10 | 1,0 | 0,800 |
| 1/4" | 8 | Ø 32 | 41 | 45 | 12 | 6 | 1,5 | 0,800 |
| 3/8" | 10 | Ø 32 | 45 | 50 | 8 | 4 | 1,9 | 0,800 |
| 1/2" | 13 | Ø 32 | 45 | 50 | 4,5 | 2 | 3,8 | 0,800 |



INSTRUCTIONS :

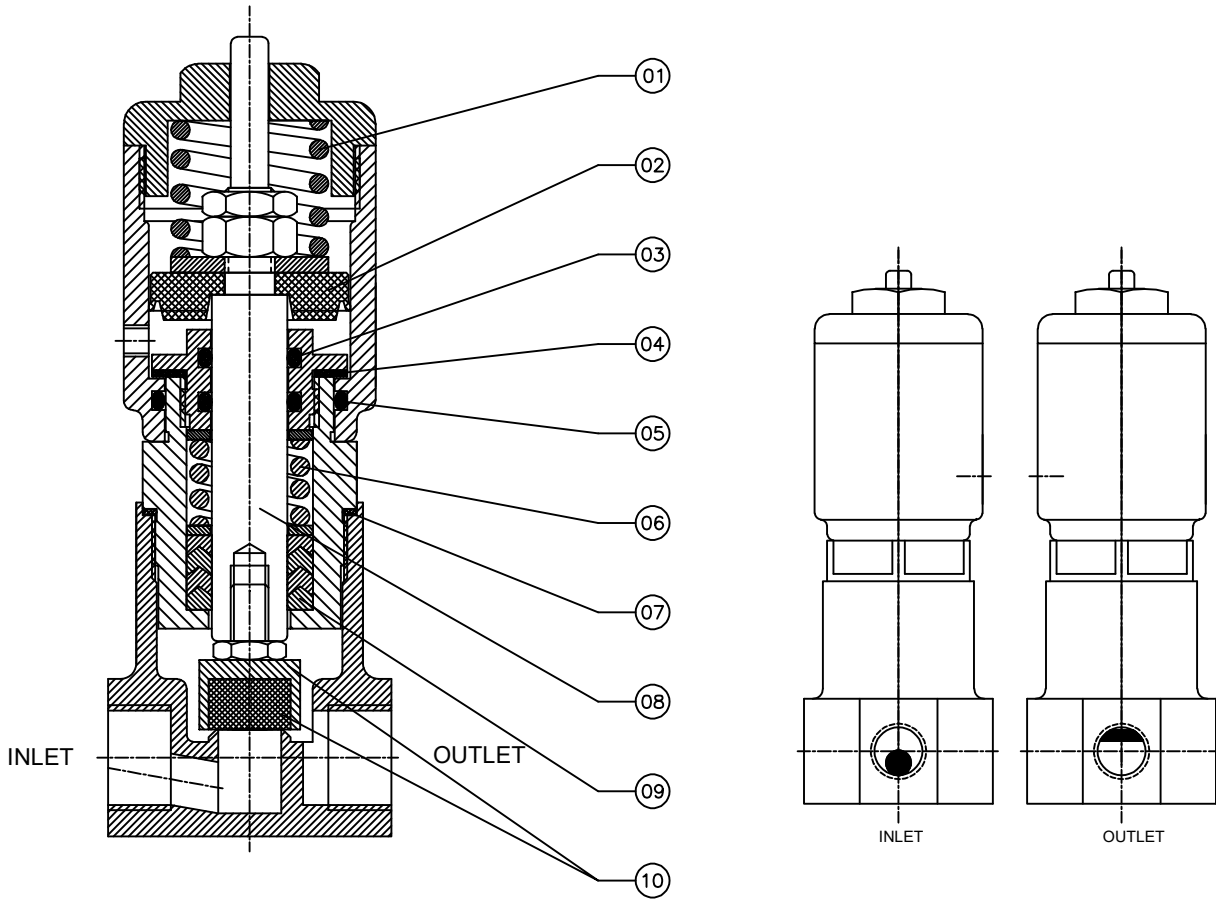
1. Valve can be fitted in any position.
2. Flow direction should be as indicated by an arrow on the body.
3. Working pressure for each size of valve should not be exceed the limits indicated in the chart. (for NC operation)
4. Control pressure should not exceed the maximum and should not go lower then the minimum value.
5. CAUTION : Never fasten or remove the assembly nut prior to applying pressurized air.



ALFANOX

SPARE PARTS
SEAT SEAL : SILICONE or PTFE

SERIES : 413



For the spare part orders, notifying us about the part number at the chart below and also the serial number on the valve are adequate.

| SPARE PART LIST | | |
|-----------------|------------------------------|---------------|
| PART NO | PART NAME | MATERIAL |
| 01 | Spring | Inox |
| 02 | Piston | NBR |
| 03 | Stuffing Box O-ring | Silicone |
| 04 | Stuffing Box gasket | PTFE |
| 05 | Cylinder O-ring | Silicone |
| 06 | Stuffing Box Spring | Inox |
| 07 | Body Sealing O-ring | Silicone |
| 08 | Stem | Inox |
| 09 | Stuffing Box V-Chevron Rings | PTFE |
| 10 | Seat Seal & Holder | Inox+Silicone |
| | | Inox+PTFE |



ALFANOX