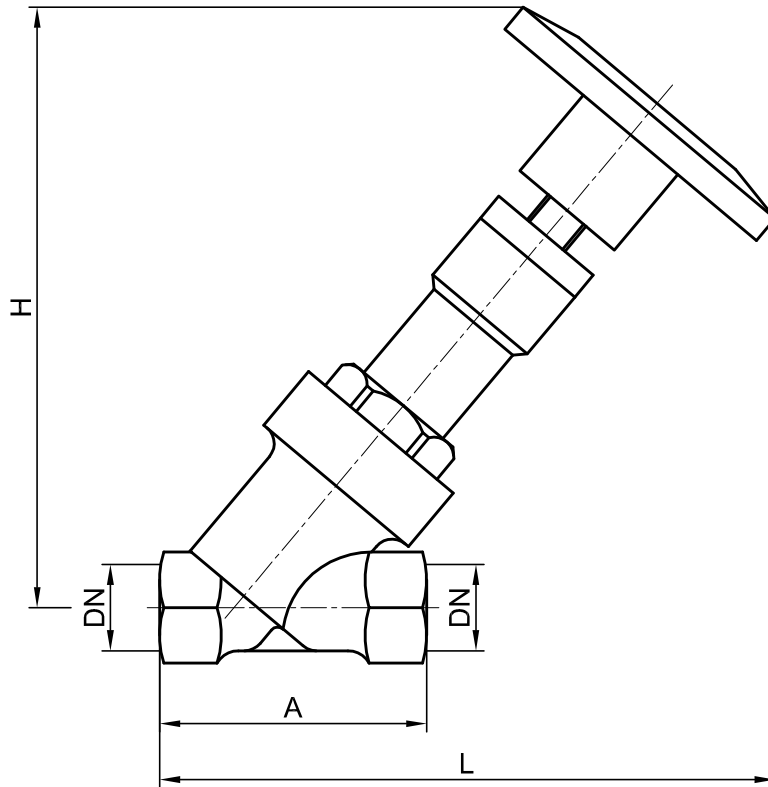


**STAINLESS STEEL MANUAL VALVE
 THREADED & SOCKET WELDED
 FREE FLOW (Y TYPE)**

SERIES : 400



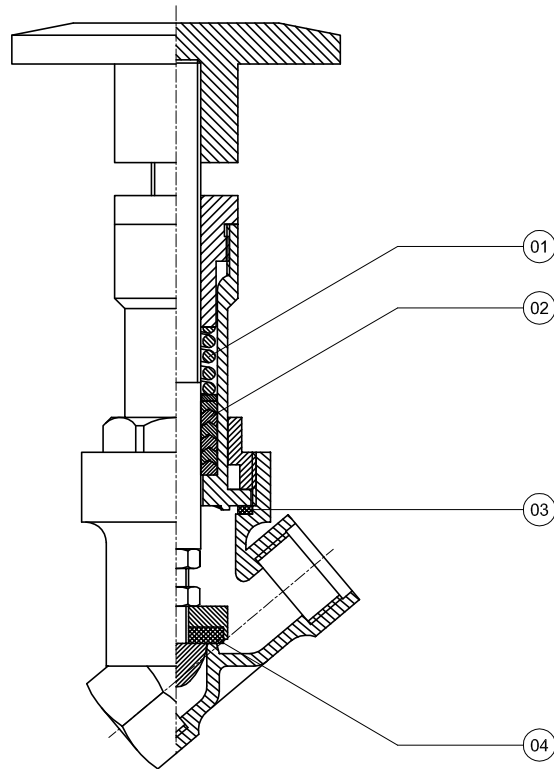
DN		A	L	H	Kv m ³ /h
15	1/2"	65	150	145	4,9
20	3/4"	75	155	150	7,6
25	1"	90	160	155	13,7
32	1 1/4"	110	190	165	20,7
40	1 1/2"	120	195	175	34,2
50	2"	150	210	185	48,6



ALFANOX

INSTRUCTIONS :

1. Valve can be fitted in any position.
2. Flow direction should be as indicated by an arrow on the body.
3. CAUTION : Never fasten or remove the assembly nut prior to turning the handwheel to the opening direction.



For the spare part orders, notifying us about the part number at the chart below and also the serial number on the valve are adequate.

SPARE PART LIST		
PART NO	PART NAME	MATERIAL
01	STUFFING BOX SPRING	INOX
02	STUFFING BOX V-CHEVRON	PTFE
03	BODY SEALING GASKET	PTFE / SILICONE
04	SEAT SEAL	EPDM / PTFE / VITON

