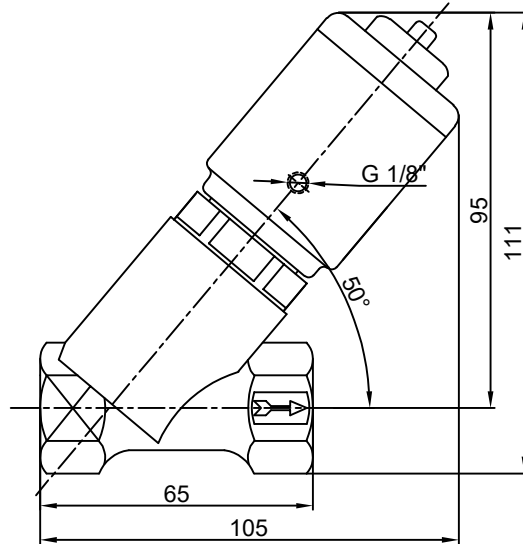


**FREE FLOW / TREADED  
STAINLESS STEEL / ON-OFF  
PISTON OPERATED PNEUMATIC MINI VALVE  
SEAT SEAL : SILICONE or PTFE**

**SERIES : 431 NC**



DIMEN.	ORIFICE mm.	PISTON mm.	$\Delta p$ bar		Kv m <sup>3</sup> /h	WEIGHT Kg.
			silicone	PTFE		
<b>1/8"</b>	6	Ø 32	20	10	1,2	0,825
<b>1/4"</b>	8	Ø 32	12	6	1,8	0,825
<b>3/8"</b>	10	Ø 32	8	4	2,3	0,825
<b>1/2"</b>	13	Ø 32	4,5	2	4,2	0,825

**INSTRUCTIONS :**

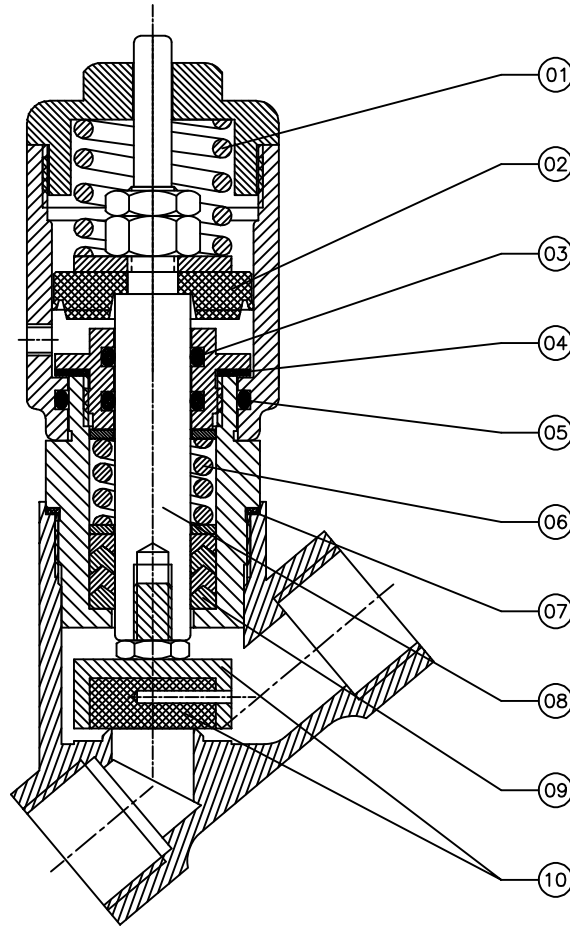
1. Valve can be fitted in any position.
2. Flow direction should be as indicated by an arrow on the body.
3. Working pressure for each size of valve should not be exceed the limits indicated in the chart. ( for NC operation )
4. Control pressure should not exceed the maximum and should not go lower then the minimum value.
5. CAUTION : Never fasten or remove the assembly nut prior to applying pressurized air.



ALFANOX

**SPARE PARTS**  
**SEAT SEAL : SILICONE or PTFE**

**SERIES : 431 NC**



For the spare part orders, notifying us about the part number at the chart below and also the serial number on the valve are adequate.

SPARE PART LIST		
PART NO	PART NAME	MATERIAL
01	Spring	Inox
02	Piston	NBR
03	Stuffing Box O-ring	Silicone
04	Stuffing Box gasket	PTFE
05	Cylinder O-ring	Silicone
06	Stuffing Box Spring	Inox
07	Body Sealing O-ring	Silicone
08	Stem	Inox
09	Stuffing Box V-Chevron Rings	PTFE
10	Seat Seal & Holder	Inox+Silicone
		Inox+PTFE



ALFANOX