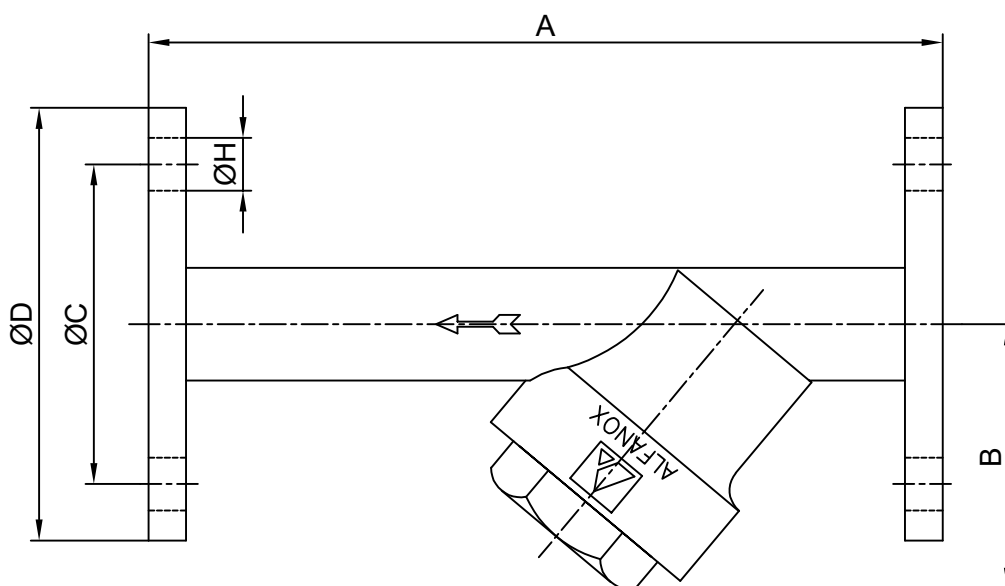
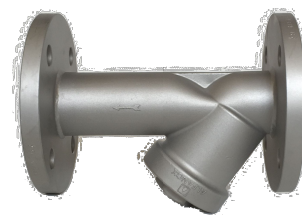


**STAINLESS STEEL  
PN 16 FLANGED  
LINEAR FLOW ( Y TYPE ) FILTER**

**SERIES : 390**



**APPLICATION**

Filter for inert and corrosive liquids and gases.

**DIMENSION**

DN 15 ( 1/2" ) / DN 50 ( 2" )

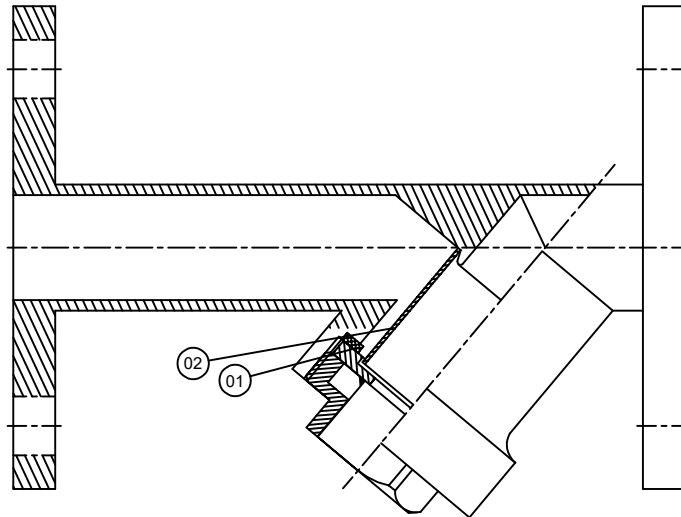
**OPERATING FEATURES**

Operating temperature : -10°C / 230°C

DN		A	B	C	D	ØH	Number of Holes	Kv	WEIGHT (KG)
15	1/2"	150	51	65	95	14	4	4,9	0,55
20	3/4"	150	57	75	105	14	4	7,6	0,65
25	1"	160	66	85	115	14	4	13,7	0,75
32	1 1/4"	180	78	100	140	18	4	20,7	0,95
40	1 1/2"	200	88	110	150	18	4	34,2	1,90
50	2"	230	104	125	165	18	4	48,6	2,55



ALFANOX



For the spare part orders, notifying us about the part number at the chart below and also the serial number on the filter are adequate.

SPARE PART LIST		
PART NO	PART NAME	MATERIAL
01	BODY SEALING GASKET	PTFE
02	FILTER ELEMENT	INOX

