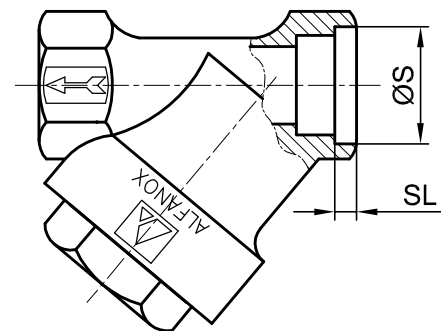
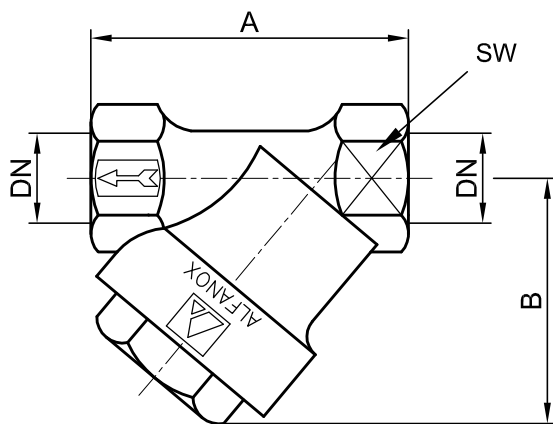


**STAINLESS STEEL  
THREADED & SOCKET WELDED  
FREE FLOW / FILTER**

**SERIES : 490**

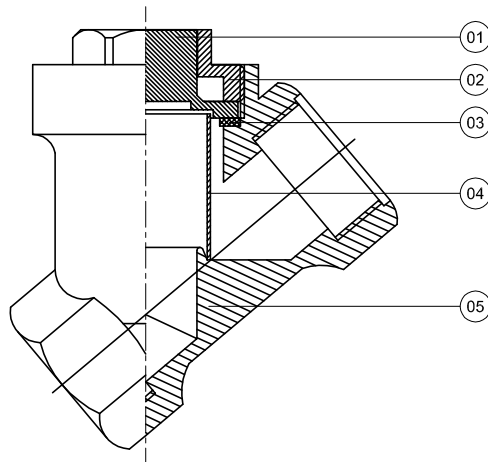


SOCKET WELDED

DN		A	B	SW	ØS	SL	Kv	WEIGHT (KG)
15	1/2"	65	51	27	21,3	1,6	4,9	0,45
20	3/4"	75	57	32	26,9	1,6	7,6	0,60
25	1"	90	66	39	33,7	2	13,7	0,70
32	1 1/4"	110	78	50	42,4	2	20,7	1,10
40	1 1/2"	120	88	55	48,3	2	34,2	1,70
50	2"	150	104	68	60,3	2,6	48,6	2,70



**ALFANOX**



For the spare part orders, notifying us about the part number at the chart below and also the serial number on the valve are adequate.

SPARE PART LIST		
PART NO	PART NAME	MATERIAL
01	FILTER UNIT HOLDER	AISI 316
02	CAP	CF8M
03	BODY SEALING GASKET	PTFE
04	FILTER UNIT	INOX
05	BODY	CF8M

