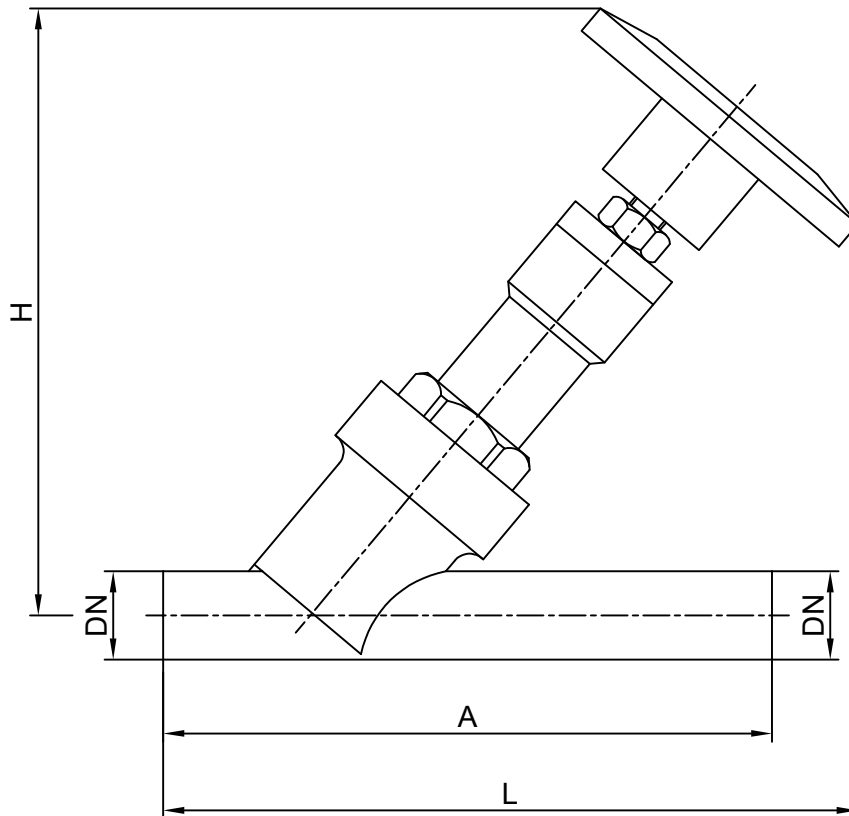


**STAINLESS STEEL MANUAL VALVE
BUTT WELDED & FLANGED
FREE FLOW (Y TYPE)**

SERIES : 300



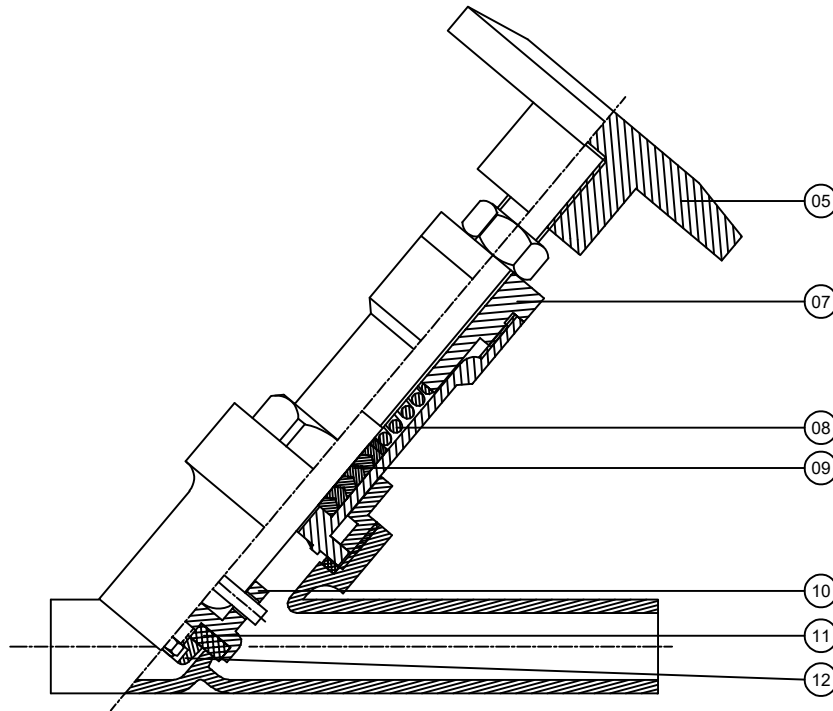
DN		A	L	H	Kv m ³ /h
15	1/2"	145	165	145	4,9
20	3/4"	145	165	150	7,6
25	1"	155	165	150	13,7
32	1 1/4"	175	180	160	20,7
40	1 1/2"	195	190	170	34,2
50	2"	225	200	175	48,6



ALFANOX

INSTRUCTIONS :

1. Valve can be fitted in any position.
2. Flow direction should be as indicated by an arrow on the body.



For the spare part orders, notifying us about the part number at the chart below and also the serial number on the valve are adequate.

SPARE PART LIST		
PART NO	PART NAME	MATERIAL
05	HANDWHEEL	INOX
07	STUFFING BOX NUT	INOX
08	STUFFING BOX SPRING	INOX
09	STUFFING BOX SET	PTFE
10	SHAFT & SEAL HOLDER	INOX
11	SEAT SEAL	PTFE
12	PROPORTIONAL CONIC	INOX

