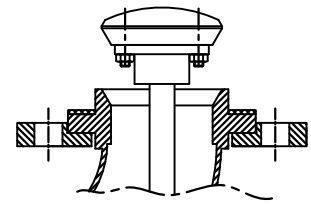
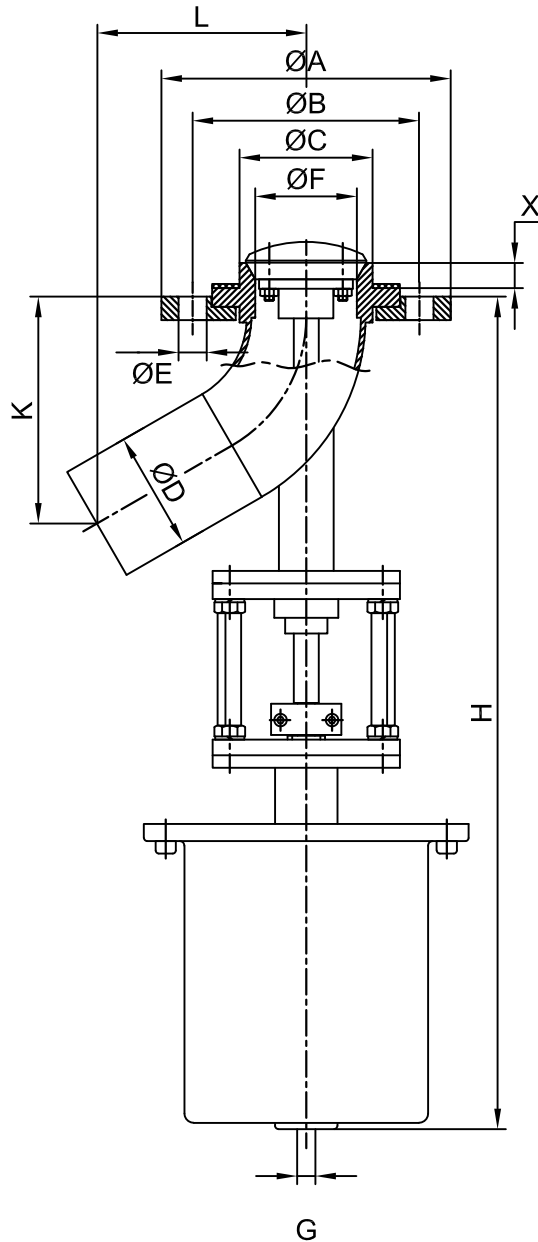


**STAINLESS STEEL  
BUTT WELDED ENDS & FLANGED  
PNEUMATIC ON-OFF TANK BOTTOM VALVE  
OPENING INTO TANK TYPE**

**SERIES : 605**



Stroke position

DN		PISTON	$\Delta p$ bar	$\varnothing A$	$\varnothing B$	$\varnothing C$	$\varnothing D$	$\varnothing F$	$\varnothing E$	Holes	H	K	L	X	G	S
25	1"			$\varnothing 100$	8	115	85	50	33.7							
32	1 1/4"	8	140		100	57	42.4	36	18	4	375	100	110	19	G 1/8"	30
40	1 1/2"	6	150		110	60	48.3	44	18	4	410	108	115	19	G 1/8"	30
50	2"	6	165		125	75	60.3	51	18	4	430	125	125	19	G 1/8"	30
65	2 1/2"	$\varnothing 150$	6	185	145	85	76.1	65	18	4	530	142	135	20	G 1/4"	40
80	3"		6	200	160	102	88.9	80	18	8	550	161	145	20	G 1/4"	40
100	4"		4	220	180	122	114.3	100	18	8	585	194	165	22	G 1/4"	40
125	5"		4	250	210	152	139.7	125	18	8	620	227	180	23	G 1/4"	40
150	6"		4	285	240	177	168.3	150	22	8	655	260	200	25	G 1/4"	40

NOTE : Should be indicated if it is required different size of "X". / Double effect actuator is recommended at vacuum-operated applications.



**ALFANOX**